

INDUSTRIAL SIRENS & SOUNDERS

MOTORISED LONG RANGE SIRENS

OVERVIEW

Compact and powerful siren constructed from a UV stabilised polycarbonate. Ideal for all signalling or alarm applications where a lightweight motorised siren is required.

SIRENCO 1000SL

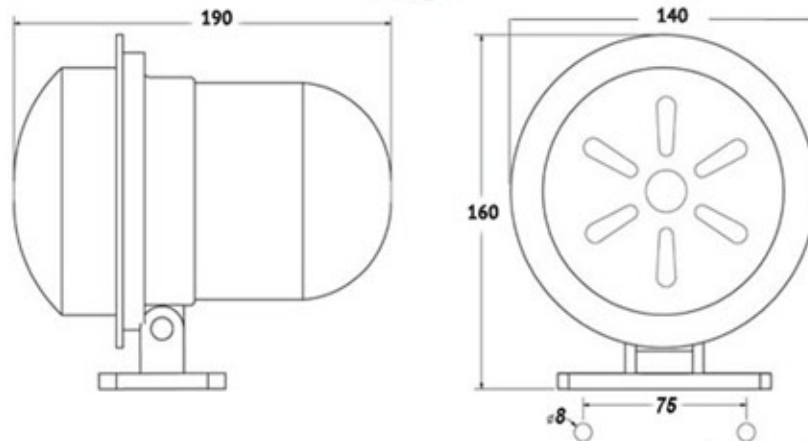
- ❖ Sound output 114db (A) 1m
- ❖ Low penetrating tone
- ❖ Weatherproof



SPECIFICATIONS

VOLTAGE	CURRENT
230v 50Hz	1.0Amp

Sound Output:	114 dB(A) at 1m
Sound Frequency:	1000 Hz
Rating:	IP45
Construction:	UV stabilised polycarbonate
Dimensions(lxhxw):	190 X 140 X 160mm
Weight:	1.2Kg



All Dimensions in mm

DETAILED SPECIFICATIONS

VOLTAGE	230v 50Hz 1Amp
DUTY CYCLE	Thermal cut protected
SOUND OUTPUT	114 dB(A) at 1m
SOUND FREQUENCY	1000Hz
APP. RANGE	500m in still air on open field
CURRENT CONSUMPTION*	230 V - 1 A
IP RATING	IP 45
WEIGHT	1.2Kg
PACKING DIMENSIONS	20 X 18 X 20cm - 2Kg
MOUNTING	The unit should ideally be mounted in a horizontal position. In environments where dirt or particles may fall onto the moving parts of the siren's impellers, it is recommended to the unit with the cone facing down..