

INDUSTRIAL SIRENS & SOUNDERS

MOTORISED LONG RANGE SIRENS

OVERVIEW

A robust, rugged cast aluminium siren with a very powerful low frequency output. Ideally suited for use in factories, refineries, quarries, construction and industrial sites, as well as both underground and surface non-refinery mines.

SIRENCO 5S 415

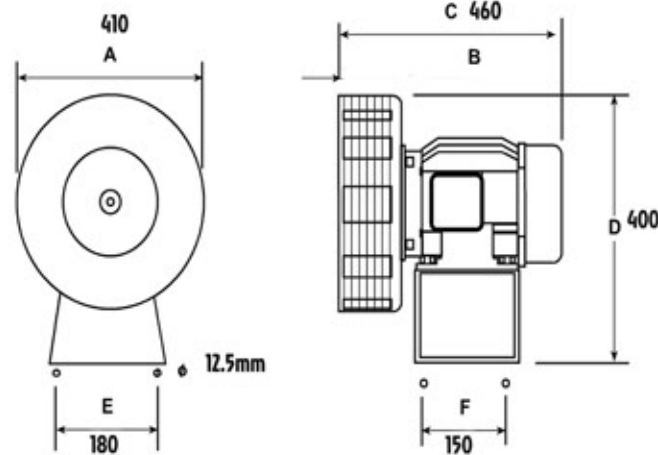
- ❖ Sound output 129dB(A)1m
- ❖ Low penetrating tone
- ❖ Weatherproof



SPECIFICATIONS

VOLTAGE	CURRENT
415V 3Phase	415V - 5Amp

Sound Output:	129dB(A) 1m
Sound Frequency:	560Hz
Rating:	IP56
Construction:	Aluminium/cast iron
Dimensions:	410X 460X 400mm
Weight:	45Kg



All Dimensions in mm

DETAILED SPECIFICATIONS

VOLTAGE	415V - 3Phase (Other voltages available on request)
DUTY CYCLE	Continuous
SOUND OUTPUT	129 dB(A) at 1m
SOUND FREQUENCY	560Hz
APP. RANGE	5000m in still air on open field
MOTOR	2.2KW motor - 2875 rpm
CURRENT CONSUMPTION*	415 V - 5Amp
IP RATING	IP 56
WEIGHT	45 Kg
PACKING DIMENSIONS	50 x 45 x 50cm - 50Kg
MOUNTING	The unit should ideally be mounted in a horizontal position. In environments where dirt or particles may fall onto the moving parts of the siren's impellers, it is recommended to place a protective shield above the unit for protection.