

INDUSTRIAL SIRENS & SOUNDERS

MOTORISED LONG RANGE SIRENS

OVERVIEW

A robust, pressure die cast aluminium siren with a powerful lower frequency sound output. Dual cable entry for looping cable connection. Back cover removes for easy access to do cable connection. Universal motor with replaceable parts. Neat powder coated finish in yellow as a standard colour. Ideal for signalling or alarm applications.

SIRENCO DUPLO

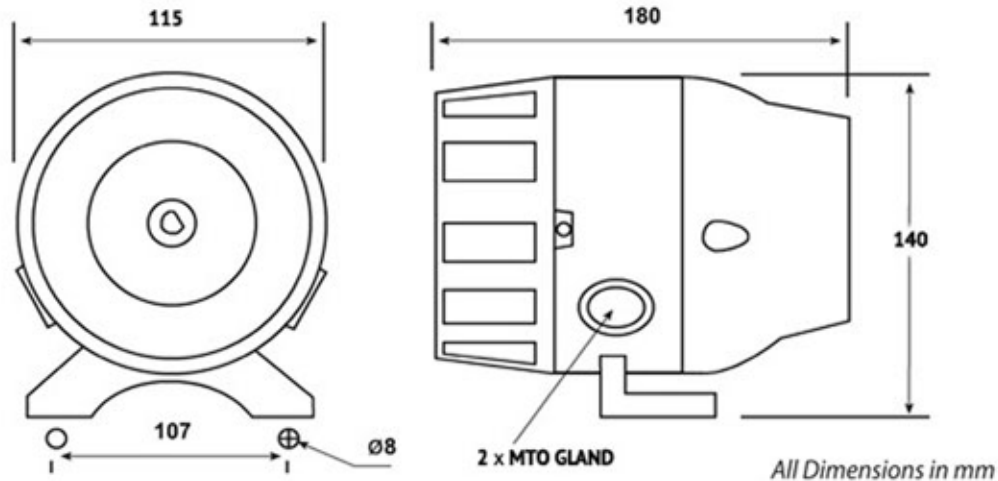
- Sound output 113 dB(A) at 1m
- Low penetrating tone
- Weatherproof



SPECIFICATIONS

VOLTAGE	CURRENT
Z30v 50Hz	1.1A

Sound Output:	113 dB(A) at 1m
Sound Frequency:	1100Hz
Rating:	IP65
Construction:	Aluminium/cast iron
Dimensions(lxhxw):	180 X 115 X 140mm
Weight:	2.5 Kg



DETAILED SPECIFICATIONS

VOLTAGE	Z30V 50Hz
DUTY CYCLE	50%
SOUND OUTPUT	113 dB(A) at 1m
SOUND FREQUENCY	1100 Hz
APP. RANGE	1000m in still air on open field
MOTOR	Brush motor with roller bearings - 4000 rpmsh
CURRENT CONSUMPTION*	Z30V - 1.1A
IP RATING	IP65
WEIGHT	2.5Kg
PACKING DIMENSIONS	15 X 15 X 20cm -4Kg
MOUNTING	The unit should ideally be mounted in a horizontal position. In environments where dirt or particles may fall onto the moving parts of the siren's impeller, it is recommended to mount the unit with the nose cone facing down. Cable entry must be done with the appropriate cable gland.