

INDUSTRIAL SIRENS & SOUNDERS

MOTORISED LONG RANGE SIRENS

OVERVIEW

A weatherproof, rugged cast aluminium siren with a very powerful low frequency output. Quarries, construction and industrial sites, as well as both underground and surface non-friery mining. Thermal cut out protected.

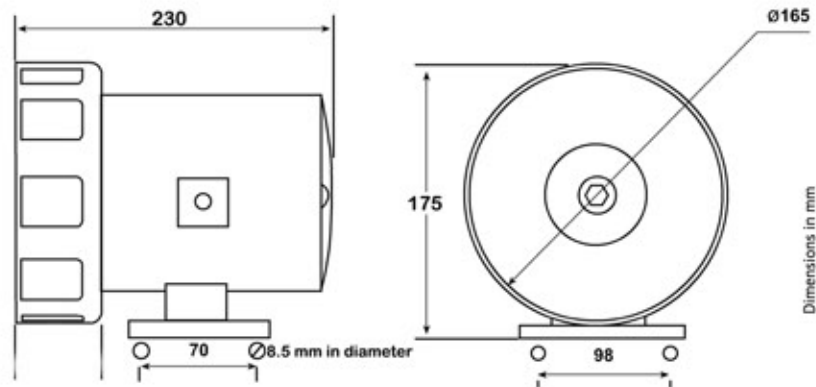
SIRENCO 1500S

- Sound output 119dB @ 1m
- Low penetrating tone
- Weatherproof

SPECIFICATIONS

VOLTAGE	CURRENT
230v 50Hz	3.5 Amp

Sound Output:	119 dB(A) at 1m
Sound Frequency:	900Hz
Rating:	IP55
Construction:	Aluminium/cast iron
Dimensions(lxhxw):	230 x 185 x 180 mm
Weight:	7Kg



All Dimensions in mm

DETAILED SPECIFICATIONS

VOLTAGE	230v 50Hz
DUTY CYCLE	Thermal cut out protected
SOUND OUTPUT	119 dB(A) at 1m
SOUND FREQUENCY	900Hz
APP. RANGE	1500m in still air on open field
MOTOR	Brush motor with roller bearings
CURRENT CONSUMPTION*	230 V - 3.5Amp
IP RATING	IP 55
WEIGHT	7 Kg
PACKING DIMENSIONS	25 x 20 x 20 -8Kg
MOUNTING	The unit should ideally be mounted in a horizontal position. In environments where dirt or particles may fall onto the moving parts of the siren's impellers, it is recommended to place a protective shield above the unit for protection. Cable entry must be done with the appropriate cable gland.