

INDUSTRIAL SIRENS & SOUNDERS

MOTORISED LONG RANGE SIRENS

OVERVIEW

Totally enclosed, robust, all weather cast aluminium siren with a very powerful dual low frequency output. Ideally suited for use in factories, refineries, quarries, construction and industrial sites, as well as both underground and surface non-friery mining. Thermal cut out protected.

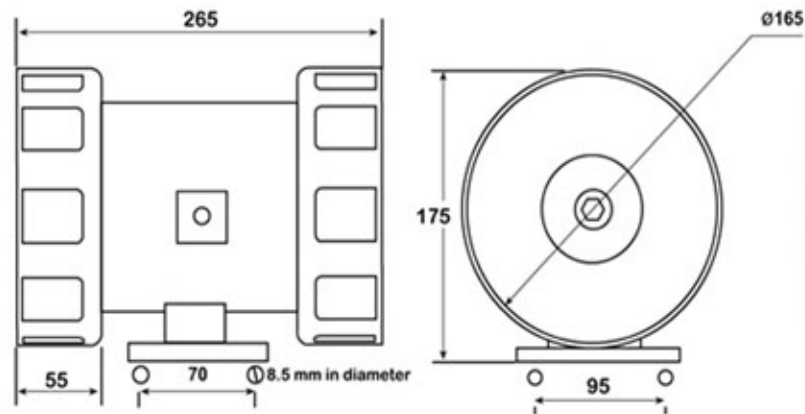
SIRENCO 2D

- ❖ Sound output 121dB(A)1m
- ❖ Dual rotor
- ❖ Low penetrating tone
- ❖ Weatherproof

SPECIFICATIONS

VOLTAGE	CURRENT
230V 50Hz	2.2 A
110V 50Hz	3A

Sound Output:	121dB(A)1m
Sound Frequency:	750/900 Hz
Rating:	IP55
Construction:	Aluminium/cast iron
Dimensions(lxhxw):	265 X 170 X 175mm
Weight:	8.5 Kg



All Dimensions in mm

DETAILED SPECIFICATIONS

VOLTAGE	230V 50Hz 110V 50Hz
DUTY CYCLE	Thermal cut out protected
SOUND OUTPUT	121 dB(A) at 1m
SOUND FREQUENCY	750/900Hz
APP. RANGE	2000m in still air on open field
MOTOR	Brush motor with roller bearings - 4000 rpm
CURRENT CONSUMPTION*	230 V - 2.2 Amp 110V - 3Amp
IP RATING	IP 55
WEIGHT	8.5 Kg
PACKING DIMENSIONS	30 X 20 X 20 - 10Kg
MOUNTING	The unit should ideally be mounted in a horizontal position. In environments where dirt or particles may fall onto the moving parts of the siren's impellers, it is recommended to place a protective shield above the unit for protection.