

# INDUSTRIAL SIRENS & SOUNDERS

## MOTORISED LONG RANGE SIRENS

### OVERVIEW

Very durable weather proof siren manufactured from the highest quality cast aluminium with a very powerful low frequency output. Ideally suited for use in factories, refineries, quarries, construction and industrial sites, as well as both underground and surface non-ferrous mines

### SIRENCO 3S 240

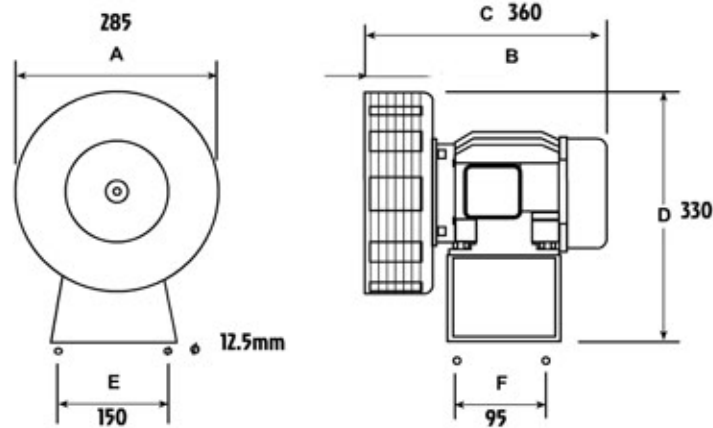
- ❖ Sound output 125 dB(A) at 1M
- ❖ Low penetrating tone
- ❖ Weatherproof



#### SPECIFICATIONS

VOLTAGE	CURRENT
240V	2A

Sound Output:	125 dB(A) 1m
Sound Frequency:	800Hz
Rating:	IP56
Construction:	Continuous
Dimensions(lxhxw):	260 X 285 X 285mm
Weight:	20Kg



All Dimensions in mm

#### DETAILED SPECIFICATIONS

VOLTAGE	240V Single Phase
DUTY CYCLE	100%
SOUND OUTPUT	125 dB(A) at 1m
SOUND FREQUENCY	800Hz
APP. RANGE	3000m in still air on open field
MOTOR	0.75 KW motor - 2875 rpm
CURRENT CONSUMPTION*	240V - 2Amp
IP RATING	IP 56
WEIGHT	20 Kg
PACKING DIMENSIONS	40 X 40 X 45cm - 28Kg
MOUNTING	The unit should ideally be mounted in a horizontal position. In environments where dirt or particles may fall onto the moving parts of the siren's impellers, it is recommended to place a protective shield above the unit for protection.