

# INDUSTRIAL SIRENS & SOUNDERS

## MOTORISED LONG RANGE SIRENS

### OVERVIEW

Compact and powerful siren constructed from a UV stabilised polycarbonate. Ideal for all signalling or alarm applications where a lightweight motorised siren is required.

### SIRENCO 500SL

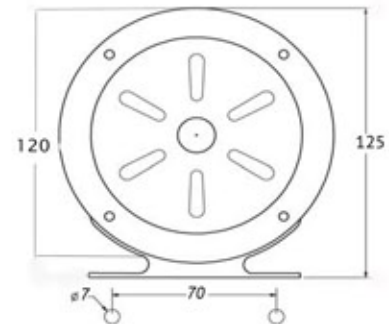
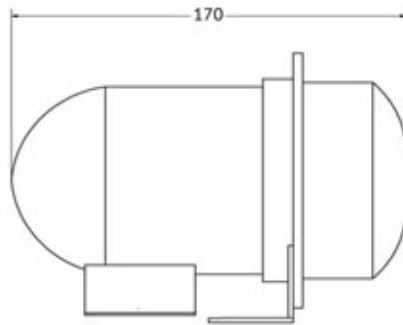
- Sound output 110dB(A) 1m
- Low penetrating tone
- Weatherproof



#### SPECIFICATIONS

VOLTAGE	CURRENT
230V 50Hz	230V - 1A

Sound Output:	110dB @ 1m
Sound Frequency:	1400 Hz
Rating:	IP45
Construction:	UV stabilised polycarbonate
Dimensions(lxhxw):	120 x 120 x 125mm
Weight:	1.1Kg



All Dimensions in mm

#### DETAILED SPECIFICATIONS

VOLTAGE	230v 50Hz
DUTY CYCLE	Thermal cut-out protected
SOUND OUTPUT	110 dB(A) at 1m
SOUND FREQUENCY	1400 Hz
APP. RANGE	500m in still air on open field
MOTOR	Brush motor with roller bearings - 4000 rpm
CURRENT CONSUMPTION*	230 V - 1 A
IP RATING	IP 45
WEIGHT	1.1Kg
PACKING DIMENSIONS	20 x15 x 15cm - 1.5Kg
MOUNTING	The unit should ideally be mounted in a horizontal position. In environments where dirt or particles may fall onto the moving parts of the siren's impellers, it is recommended to place a protective shield above the unit for protection.